

A new vision for sound

Beosound Theatre reinvents what the home cinema experience can be. All the power, clarity and immersion of a multi-speaker setup. But from one beautiful soundbar that slots in seamlessly with any screen.




No black boxes, no cable clutter. Four patent-pending acoustic innovations in one sleek soundbar envelop you in sound from every angle.

Made with materials as beautiful as they are durable, Beosound Theatre is made to last for generations.

Make every movie an unmissable cinematic event.



Important features

-  Sound that surrounds
-  All beauty. No clutter
-  For generations to come



Basic

WEIGHT
18 kg

PLACEMENT
Table or wall

RECOMMENDED ROOM SIZE
15 - 60 m²

WALL MOUNTED

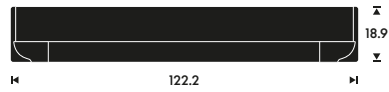


TABLE STAND




Technical
CABINET PRINCIPLE

Closed cabinet

LOCAL BUTTONS

Volume up/down, Play/pause,
Step forward/previous, Touch to join,
Bluetooth pairing and 4 favorite buttons

LOUDSPEAKER

11 outputs:

7 Internal: Lef, Centre, Right / Lef and
Right side-f ring / Lef and Right up-f ring
4 Virtual: Virtual Lef and Right Surround /
Virtual Lef and Right Front Height

AMPLIFIER

12 power amplifiers:
2 x 100 watts amplifiers for bass outputs
10 x 60 watts amplifiers for center channel,
lef /right/upf ring/side f ring outputs

SPEAKER CONFIGURATION

12 speaker drivers
2 x 6.5" woofer custom made
1 x 5.25" midrange + 1 x 1" tweeter for
custom made coaxial centre speaker
2 x 3" midrange
4 x 2.5" full range
2 x 1" tweeter

ADVANCED SOUND FEATURES

Integrated 7.1.4 Dolby Atmos decoding
and custom-tuned post-processing
with proprietary True Image
up- / downmixing algorithm.
Advanced Bass management system
Adaptive Bass Linearisation (ABL)
Thermal protection

ROOMSENSE

Automated speaker setup with external
microphone:
Speaker level and distance
Speaker role
Speaker position compensation
from 30 – 10.000Hz
Room resonance compensation
from 30 – 200Hz

FREQUENCY RANGE

28 Hz - 23,000 Hz

MAXIMUM OUTPUT LEVEL (SPL) @1M

112 dB SPL

BASS CAPABILITY @1M

94 dB SPL

SOUND FORMAT HDMI

Dolby Atmos supporting:
Dolby Digital TrueHD
Dolby Digital plus 7.1 (including DD5.1)
Dolby Atmos, Dolby MAT

PCM 7.1 multichannel

MPEG-2 AAC

MPEG-4 HE-AAC

TOUCH UI WITH PROXIMITY SENSOR

Ultrasonic sound for detection of
a person within 60 cm range

POWER CONSUMPTION

Typical: 120 W

TV SCREEN

Optimised for LG OLED C2/G2/Z2
55"/65"/77"


Connectivity
WIRED CONNECTIVITY

3 x HDMI input with CEC input
 1 x HDMI eARC with passthrough 4K
 120FPS / 8K 60FPS / 40Gbit
 Analogue audio in via USB-C
 (3.5 mm passive jack adaptor required.
 B&O partno. 6271374)
 Ethernet switch with 4 x 1Gbit ports.
 One port assigned for LG OLED TV
 connection for integrated control via
 Beoremove One and Bang & Olufsen App

WIRELESS CONNECTIONS

Dual band WLAN 2.4 / 5GHz
 IEEE 802.11 b/g/a/n/ac
 Standard built-in, WiSA compliant.
 Connect up to eight Beolab loudspeakers
 wirelessly in addition to the wired
 loudspeakers.
 Bluetooth 5.1 (BLE and EDR)
 Bluetooth Codecs (AAC and SBC)

INTEGRATED MUSIC SERVICES

Bang & Olufsen Radio

VOICE ASSISTANT

Via external Google assistant device

REMOTE CONTROL

Integrated system control,
 including LG OLED TV
 Beoremove One BT
 Bang & Olufsen App
 Beoremove Halo for music streaming

STREAMING SERVICES

Apple AirPlay 2
 Bluetooth audio streaming
 DLNA
 Chromecast built-in
 Spotify Connect
 Deezer
 QPlay

MULTIROOM

Apple Airplay 2 multiroom
 Google Cast groups
 Beolink incl join of TV / HDMI input sound
 (not in sync) and analogue line-in

SPEAKER OUTPUTS

8 x Wireless Powerlink
 8 x Powerlink

PERIPHERAL UNIT CONTROL

Integrated Peripheral Unit/Set-top Box
 Controller for two units, allowing you
 to control set-top boxes with the
 Bang & Olufsen remote control

MOTORISED TURN FUNCTION

1 x micro-f t 4 pin

SOCKET EXTERNAL ROOMSENSE MICROPHONE

3.5 mm jack
 Slider for microphone mute



Other information

DESIGNER
Noto GmbH

LISTENING MODES
5 customisable listening modes

WHAT IS IN THE BOX:
Beosound Theatre including
55" or 65" or 77" Side Wings
HDMI cable
LAN cable
Mains cable
Soundbar wall bracket
(for installing as a "stand alone" soundbar)
Soundbar table stand
(for installing as a "stand alone" soundbar)
Decoration covers
Installation guide
Drilling template for wall
mounting of soundbar
Microphone for automated
RoomSense setup
Tool for removing speaker cover

LISTENING POSITIONS
Yes



Basic

BEOSOUND THEATRE WITH A 55" TV

PLACEMENT OPTIONS

- Table stand
- Motorised floor stand
- Motorised wall bracket

WEIGHT

Table stand incl LG G2 TV:
49 kg

Motorised floor stand incl. LG G2 TV:
69 kg

Motorised wall bracket incl. LG G2 TV:
62 kg

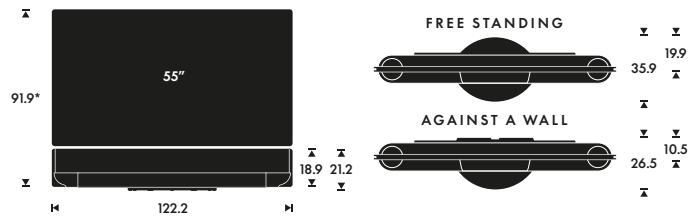
MOTORISED FLOOR STAND

The maximum turning angle is +/- 35 degrees. It requires 9 cm distance from wall.

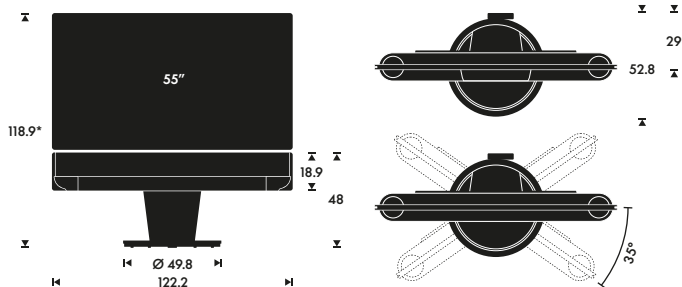
If the rear part of the floor stand is placed against the wall, the screen can be turned: +/-18 degrees.

Product Dimensions

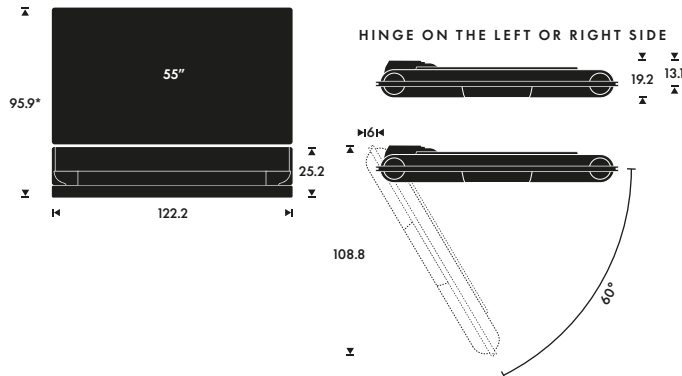
TABLE STAND WITH 55" TV



MOTORISED FLOOR STAND WITH 55" TV



MOTORISED WALL BRACKET WITH 55" TV



*Height depends on TV model


Basic

BEOSOUND THEATRE WITH A 65" TV

PLACEMENT OPTIONS

- Table stand
- Motorised floor stand
- Motorised wall bracket

WEIGHT

Table stand incl LG G2 TV:

53 kg

Motorised floor stand incl. LG G2 TV:

73 kg

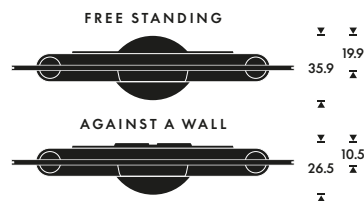
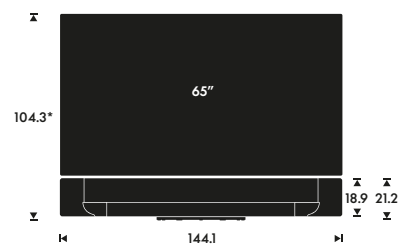
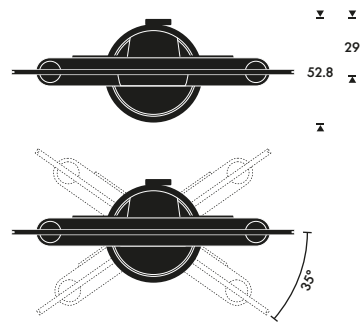
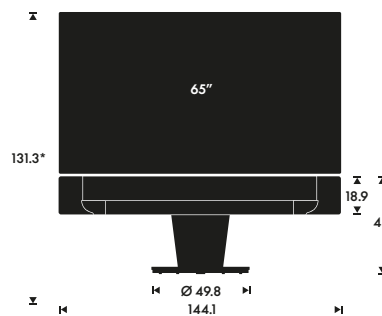
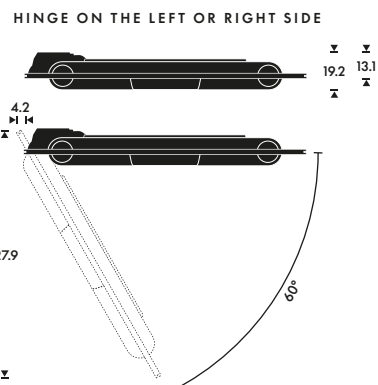
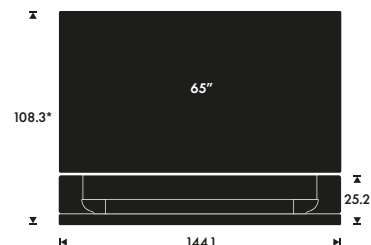
Motorised wall bracket incl. LG G2 TV:

68 kg

MOTORISED FLOOR STAND

The maximum turning angle is +/- 35 degrees. It requires 14 cm distance from wall.

If the rear part of the floor stand is placed against the wall, the screen can be turned: +/-18 degrees.

Product Dimensions
TABLE STAND WITH 65" TV

MOTORISED FLOOR STAND WITH 65" TV

MOTORISED WALL BRACKET WITH 65" TV

**Height depends on TV model*

Basic

BEOSOUND THEATRE WITH A 77" TV

PLACEMENT OPTIONS

- Table stand
- Motorised floor stand

WEIGHT

Table stand incl LG G2 TV:
66 kg

Motorised floor stand incl. LG G2 TV:
87 kg

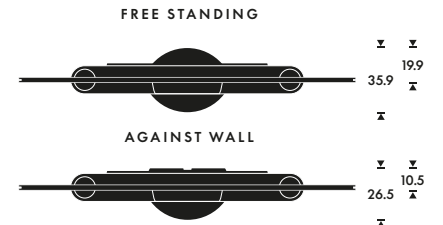
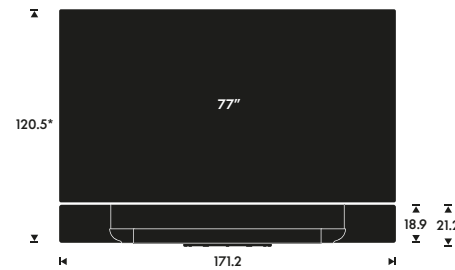
MOTORISED FLOOR STAND

The maximum turning angle is +/- 35 degrees. It requires 22 cm distance from wall.

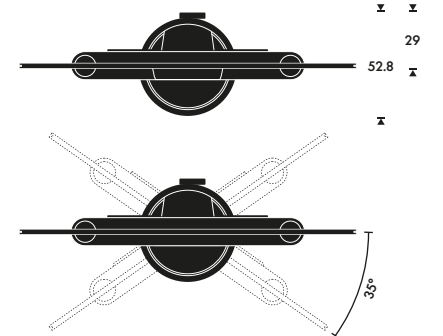
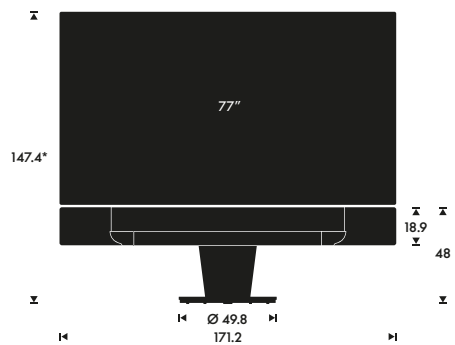
If the rear part of the floor stand is placed against the wall, the screen can be turned: +/-15 degrees.

Product Dimensions

TABLE STAND WITH 77" TV



MOTORISED FLOOR STAND WITH 77" TV



*Height depends on TV model

FRAME
Silver aluminium



SPEAKER COVER
Oak

FRAME
Silver aluminium



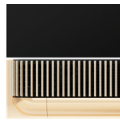
SPEAKER COVER
Grey mélangé fabric

FRAME
Black Anthracite
aluminium

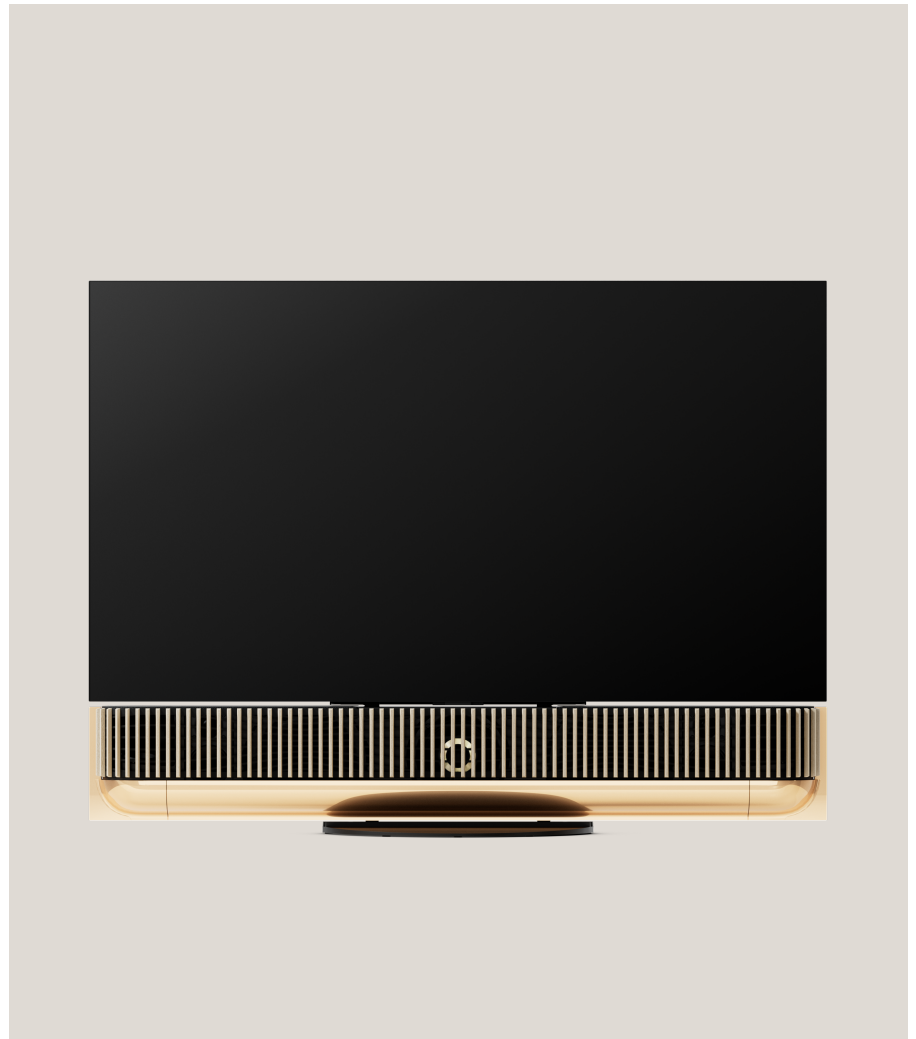


SPEAKER COVER
Dark oak

FRAME
Gold Tone aluminium



SPEAKER COVER
Light oak



Available for customisation

With the B&O AR Experience app, you can preview the customisation options and view the speakers in different rooms.

Ask in store or visit www.bang-olufsen.com for more information.



Style it to your space

No black boxes blocking the screen.
No cables cluttering up your space.

This is stunning home cinema sound made simple. Whether wall mounted or poised on its stand, Beosound Theatre integrates with almost any TV through elegant, adjustable screen interface that creates a perfect silhouette for every set.

Wherever you place it, it's perfectly positioned to bring cinema to life.

